

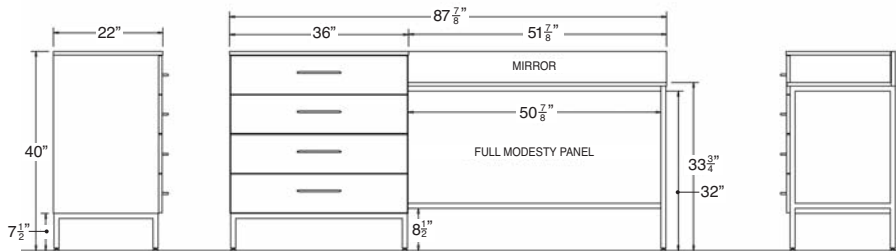
The logo features the letters 'NYC' in a large, bold, serif font, with 'COLLECTION 09' in a smaller, sans-serif font below it. The text is centered within a horizontal oval that has a dark left half and a light right half, separated by a vertical line. The background of the entire advertisement is a nighttime photograph of a city street with tall buildings and lights.

NYC
COLLECTION 09



“...aristocratic, yet...”

CHEST AND RETURN WITH MOBILE DESK

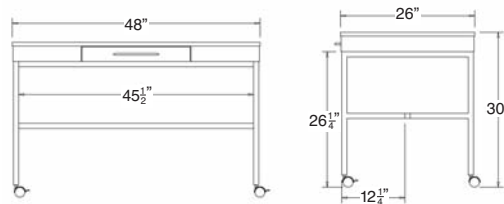


Chest

A four drawer chest encompassing the finest of construction techniques with each drawer being equipped with full extension slides accompanied with French dovetail joinery. A multiple step hand wiped stain process completes the production.

Return

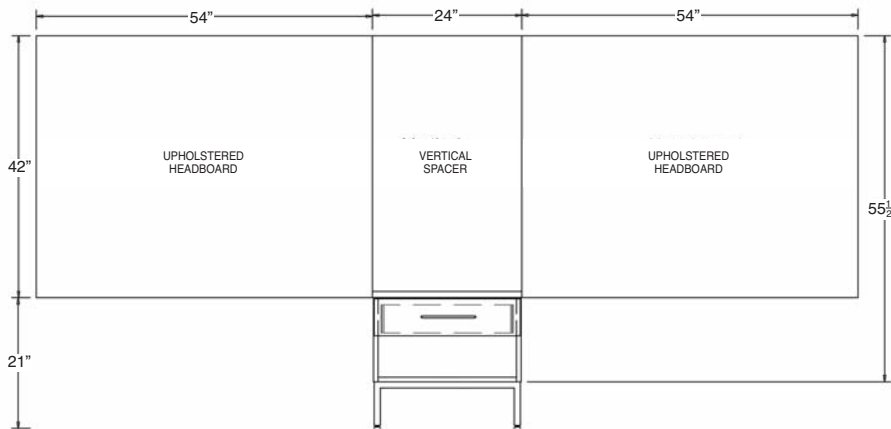
The return with mirrored back is attached to the chest. The construction guarantees a seamless transition between the two pieces and allows ample space for multiple functions.



Mobile Desk

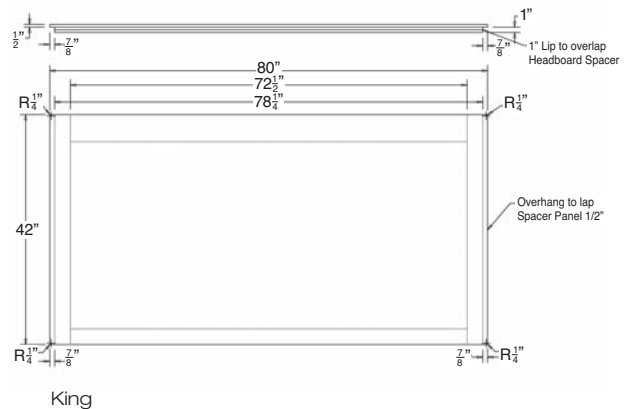
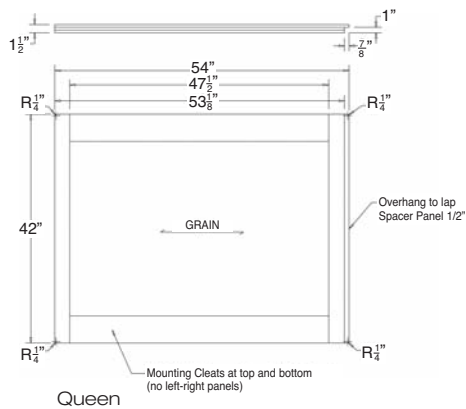
The desk is mounted on rollers allowing for an easy transition and multiple functions. There is sufficient room for a working environment to include a lap top and reading materials. When not in use it fits appropriately under the return.

HEADBOARDS WITH NIGHTSTAND

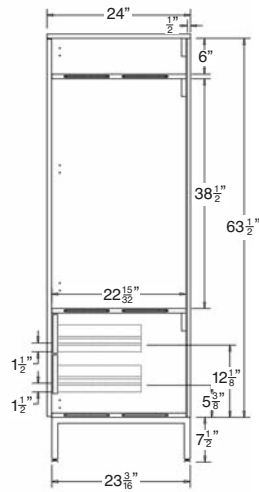
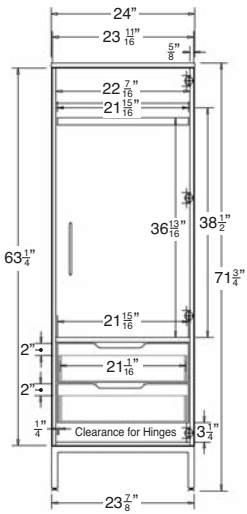


Queen and King Headboards with Nightstand

The upholstered back suggests an urban sophistication with perceived eloquence. The material is of the highest quality and durability. The queen headboard as illustrated is divided by a night stand with a single drawer accompanied with a vertical wood stained spacer.



WARDROBE



Wardrobe

A multiple purpose environment allowing for a combination of hanging and drawer storage with latitude for additional space for each. A subdued elegance suggests a loft with its inherent mandates for efficiency.



Makers of Fine Furniture Since 1946

Holland Industries, Inc.
 1401 Industrial Park Drive • Huntingburg, Indiana 47542
 T: 812.683.5011 • F: 812.683.2606
 hollandindustries.com

